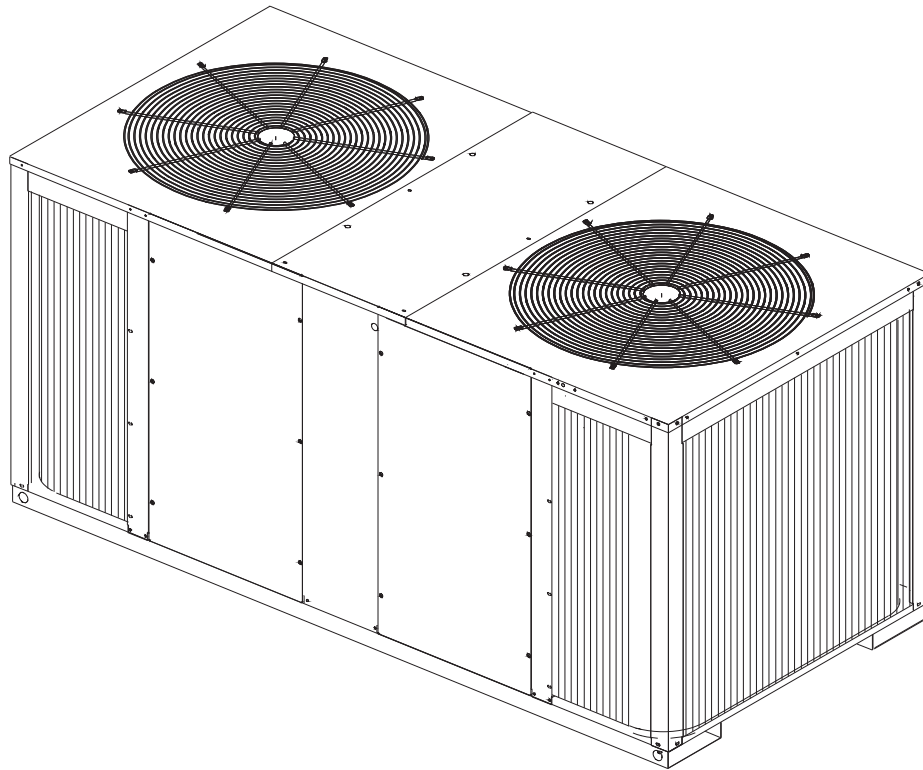


# Installation Operation Maintenance

---

## Split System Cooling Condensers

*20 Tons (R-410A)*



**Model Number**

TTA200FD\*\*A (50Hz)


TTA240F\*\*\*A (60Hz)


# Warnings, Cautions and Notices

**Warnings, Cautions and Notices.** Note that warnings, cautions and notices appear at appropriate intervals throughout this manual. Warnings are provide to alert installing contractors to potential hazards that could result in personal injury or death. Cautions are designed to alert personnel to hazardous situations that could result in personal injury, while notices indicate a situation that could result in equipment or property-damage-only accidents.

Your personal safety and the proper operation of this machine depend upon the strict observance of these precautions.

**ATTENTION:** Warnings, Cautions and Notices appear at appropriate sections throughout this literature. Read these carefully.

 **WARNING:** Indicates a potentially hazardous situation which, if not avoided, could result in death or serious injury.

 **CAUTION:** Indicates a potentially hazardous situation which, if not avoided, could result in minor or moderate injury. It could also be used to alert against unsafe practices.

**NOTICE:** Indicates a situation that could result in equipment or property-damage only accidents.

## Important Environmental Concerns!

Scientific research has shown that certain man-made chemicals can affect the earth's naturally occurring stratospheric ozone layer when released to the atmosphere. In particular, several of the identified chemicals that may affect the ozone layer are refrigerants that contain Chlorine, Fluorine and Carbon (CFCs) and those containing Hydrogen, Chlorine, Fluorine and Carbon (HCFCs). Not all refrigerants containing these compounds have the same potential impact to the environment. Trane advocates the responsible handling of all refrigerants-including industry replacements for CFCs such as HCFCs and HFCs.

## Responsible Refrigerant Practices!

Trane believes that responsible refrigerant practices are important to the environment, our customers, and the air conditioning industry. All technicians who handle refrigerants must be certified. The Federal Clean Air Act (Section 608) sets forth the requirements for handling, reclaiming, recovering and recycling of certain refrigerants and the equipment that is used in these service procedures. In addition, some states or municipalities may have additional requirements that must also be adhered to for responsible management of refrigerants. Know the applicable laws and follow them.

## **WARNING**

### **Contains Refrigerant!**

**System contains oil and refrigerant under high pressure. Recover refrigerant to relieve pressure before opening the system. See unit nameplate for refrigerant type. Do not use non-approved refrigerants, refrigerant substitutes, or refrigerant additives.**

**Failure to follow proper procedures or the use of non-approved refrigerants, refrigerant substitutes, or refrigerant additives could result in death or serious injury or equipment damage.**

**Important:** *DO NOT release refrigerant to the atmosphere! If adding or removing refrigerant is required, the service technician must comply with all federal, state, and local laws.*

**Important:** *One copy of this document ships inside the control panel of each unit and is customer property. It must be retained by the unit's maintenance personnel.*

This booklet describes proper installation, operation, and maintenance procedures for air cooled systems. By carefully reviewing the information within this manual and following the instructions, the risk of improper operation and/or component damage will be minimized.

It is important that periodic maintenance be performed to help assure trouble free operation. A maintenance schedule is provided at the end of this manual. Should equipment failure occur, contact a qualified service organization with qualified, experienced HVAC technicians to properly diagnose and repair this equipment.

All phases of this installation must comply with the NATIONAL, STATE & LOCAL CODES. In addition to local codes, the installation must conform with National Electric Code -ANSI/NFPA NO. 70 LATEST REVISION.

Any individual installing, maintaining, or servicing this equipment must be properly trained licensed and qualified.

# Table of Contents

Model Number Description .....	6
General Information .....	7
Installation Checklist .....	7
Unit Inspection .....	7
Inspection Checklist .....	7
Initial Leak Test .....	7
Lifting Recommendations .....	7
Pre-Installation .....	9
Clearances .....	9
Unit Mounting .....	9
Refrigerant Piping .....	10
Dimensional Data .....	11
Electrical Data .....	12
Installation .....	13
Refrigerant Piping Guidelines .....	13
Refrigerant Piping Procedures (Outdoor Units) .....	14
Refrigerant Piping Procedure (Indoor Unit) .....	15
Electrical Wiring .....	18
Field Wiring .....	21
Refrigerant Circuit .....	22
Pre-Start .....	23
Start-Up .....	25
Electromechanical Controls .....	25
ReliaTel™ Control .....	26
ReliaTel™ Control Cooling Mode .....	26
Service Test Modes ReliaTel™ Controls .....	28
Test Modes .....	28
Maintenance .....	29
Maintenance Log .....	31
Troubleshooting .....	32
Trouble Shooting ReliaTel™ Controls .....	32
System Status Checkout Procedure .....	33
Simultaneous Heat and Cool Failure .....	33
Resetting Cooling and Heating Lockouts .....	34
Zone Temperature Sensor (ZTS) Service Indicator .....	35
Programmable & Digital Zone Sensor Test .....	36

---

Warranty .....	38
TTA (Parts Only) .....	38
Commercial Equipment Rated 20 Tons and Larger and Related Accessories (Parts Only) .....	38
Wiring Diagram Matrix .....	40

# Model Number Description

<u>TTA</u>	<u>240</u>	<u>F</u>	<u>3</u>	<u>00</u>	<u>A</u>	<u>A</u>
1 2 3	4 5 6	7	8	9 10	11	12

## Model Number Description

All products are identified by a multiple-character model number that precisely identifies a particular type of unit. An explanation of the alphanumeric identification code is provided. Its use will enable the owner/operator, installing contractors, and service engineers to define the operation, specific components, and other options for any specific unit.

When ordering replacement parts or requesting service, be sure to refer to the specific model number, serial number, and DL number (if applicable) stamped on the unit nameplate.

### DIGITS 1-3: PRODUCT TYPE

TTA = Split System Cooling

### DIGITS 4-6: NOMINAL GROSS COOLING CAPACITY (MBh)

200 = 200 MBh

240 = 240 MBh

### DIGIT 7: MAJOR DEVELOPMENT SEQUENCE

A = 1 Refrigerant Circuit, R-22

B = 2 Refrigerant Circuit, R-22

C = Manifold Scroll Compressors, R-22

D = 1 Refrigerant Circuit, R-410A

E = 2 Refrigerant Circuit, R-410A

F = Manifold Scroll Compressors, R-410A

### DIGIT 8: ELECTRICAL CHARACTERISTICS

3 = 208-230/60/3

4 = 460/60/3

W = 575/60/3

D = 380-415/50/3

K = 380/60/3

### DIGITS 9, 10: FACTORY INSTALLED OPTIONS

00 = Packed Stock

0S = Black Epoxy Coated Coil

0R = ReliaTel™, no LCI Board

0T = ReliaTel™, no LCI Board with Black Epoxy Coated Coil

0U = ReliaTel™, with LCI Board

0W = ReliaTel™, with LCI Board and Black Epoxy Coated Coil

### DIGITS 11: MINOR DESIGN SEQUENCE

A = Current Design Sequence

### DIGITS 12: SERVICE DIGIT

A = Current Service Digit

# General Information

Installation procedures should be performed in the sequence that they appear in this manual. Do not destroy or remove the manual from the unit. The manual should remain weather-protected and with the unit until all installation procedures are complete.

**Note:** *It is not the intention of this manual to cover all possible variations in systems that may occur or to provide comprehensive information concerning every possible contingency that may be encountered during an installation. If additional information is required or if specific problems arise that are not fully discussed in this manual, contact your local sales office.*

**Note:** *"Warnings" and "Cautions" appear at appropriate places in this manual. Your personal safety and the proper operation of this machine require that you follow them carefully. The Company assumes no liability for installations or servicing performed by unqualified personnel.*

## Installation Checklist

An "Installation Checklist" is provided at the end of the installation section of this manual. Use the checklist to verify that all necessary installation procedures have been completed. Do not use the checklist as a substitute for reading the information contained in the manual. Read the entire manual before beginning installation procedures.

## Unit Inspection

Inspect material carefully for any shipping damage. If damaged, it must be reported to, and claims made against the transportation company. Compare the information that appears on the unit nameplate with ordering and submittal data to insure the proper unit was shipped. Available power supply must be compatible with electrical characteristics specified on component nameplates. Replace damaged parts with authorized parts only.

## Inspection Checklist

To protect against loss due to damage incurred in transit, complete the following checklist upon receipt of the unit.

1. Inspect individual pieces of the shipment before accepting the unit. Check for obvious damage to the unit or packing material.
2. Inspect the unit for concealed damage before it is stored and as soon as possible after delivery. Concealed damage must be reported within 15 days. If concealed damage is discovered, stop unpacking the shipment. Do not remove damaged material from the receiving location. Take photos of the damage if possible. The owner must provide reasonable evidence that the damage did not occur after delivery.
3. Notify the carrier's terminal of damage immediately by phone and by mail. Request an immediate joint inspection of the damage by the carrier and the consignee.
4. Notify the sales representative and arrange for repair. Do not repair the unit until the damage is inspected by the carrier's representative.

## Initial Leak Test

All **TTA** units are shipped with a holding charge of nitrogen in each circuit. Remove the compressor access panel(s) shown in Figure 2. Locate the liquid line or suction line service valve for each circuit. Install gauges to determine if the circuits are still pressurized. If not, the charge has escaped. Repair as required to obtain a leak-free circuit.

## Lifting Recommendations

Before preparing the unit for lifting, estimate the approximate center of gravity for lifting safety. Because of placement of internal components, the unit weight may be unevenly distributed. Approximate unit weights are given in [Table 1, p. 8](#).

## General Information

---

**Table 1. Total Unit and Corner Weight**

MODEL NO.	APPROXIMATE CORNER WEIGHT (MASS)				TOTAL UNIT WEIGHT
	#1	#2	#3	#4	
TTA240F---A	292 lbs	181 lbs	222 lbs	140 lbs	835 lbs
TTA200FD--A	132 kg	82 kg	101 kg	64 kg	379 kg

### **WARNING**

#### **Improper Unit Lift!**

**On-sight lifting equipment must be capable of lifting the unit weight with an adequate safety factor. The use of under-capacity lifting devices could result in death or serious injury or possible equipment or property-only damage.**

The crated unit can be moved using a forklift of suitable capacity. For lifting the unit, attach lifting straps or slings securely to the lifting holes at each corner. Use spreader bars to protect the unit casing from damage. Test lift the unit to determine proper balance and stability.

### ***NOTICE***

#### **Equipment Damage!**

**Use spreader bars to prevent lifting straps from damaging the unit. Install bars between lifting straps. This will prevent the straps from crushing the unit cabinet or damaging the unit finish.**



# Pre-Installation

## Clearances

Provide enough space around the unit to allow unrestricted access to all service points. Refer to [Figure 2, p. 11](#) for unit dimensions and minimum required service and free air clearances. Observe the following points to ensure proper unit operation.

1. Do not install the unit under a low overhang. Condenser discharge must not be restricted. See [Figure 2](#).

**Note: Important! Do not obstruct condenser discharge air. This can result in warm air recirculation through the coil.**

2. Do not locate the unit in a position where runoff water can fall into the fan discharge openings.
3. Condenser intake air is supplied from three sides of the unit. Adhere to the minimum required clearances given in [Figure 2](#).

## Unit Mounting

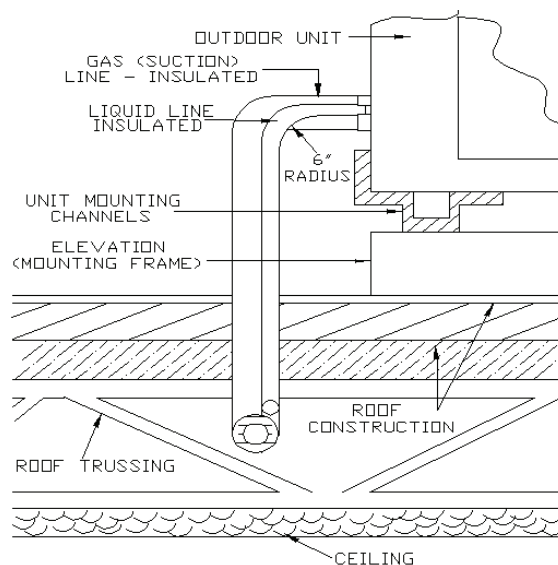
### **WARNING** **Mounting Integrity!**

Ensure that the roof structure supports are strong enough to support the weight of the unit and any accessories. Failure to do so could result in death or serious injury or possible equipment or property-only damage.

### **Rooftop Mounting**

If the unit will be roof mounted, determine for certain that the structure is strong enough to support the unit and any required accessories. Unit weights are given in [Table 1, p. 8](#). The unit should be elevated on a level, field fabricated four-inch steel or wood 4" x 4" mounting frame. Complete the frame and secure it into position before lifting the unit to the roof. The mounting frame must support a minimum of three of the unit's four sides and should span roof supports to distribute the load on the roof.

**Figure 1. Roof Mounted Unit**



### Ground Level Mounting

For ground level installation, the unit base should be adequately supported and hold the unit near level. The installation must meet the guidelines set forth in local codes. The support should extend two inches beyond the unit base channels at all points. The unit and support must be isolated from any adjacent structure to prevent possible noise or vibration problems. Any ground level location must comply with required clearances given in [Figure 2](#).

## Refrigerant Piping

### Structural Preparation

Holes must be made in the structure to run refrigerant lines. For the majority of ground-level installations, the holes can be made in the header that rests on top of the foundation. Alternatively, these holes may also be made in the foundation itself. On roof-mounted units, refrigerant lines should enter the building as close to the unit as possible; preferably within three to four inches of the refrigerant connection on the unit, plus a 6-inch (long radius) 90° ell entering the building, [Figure 1, p. 9](#).

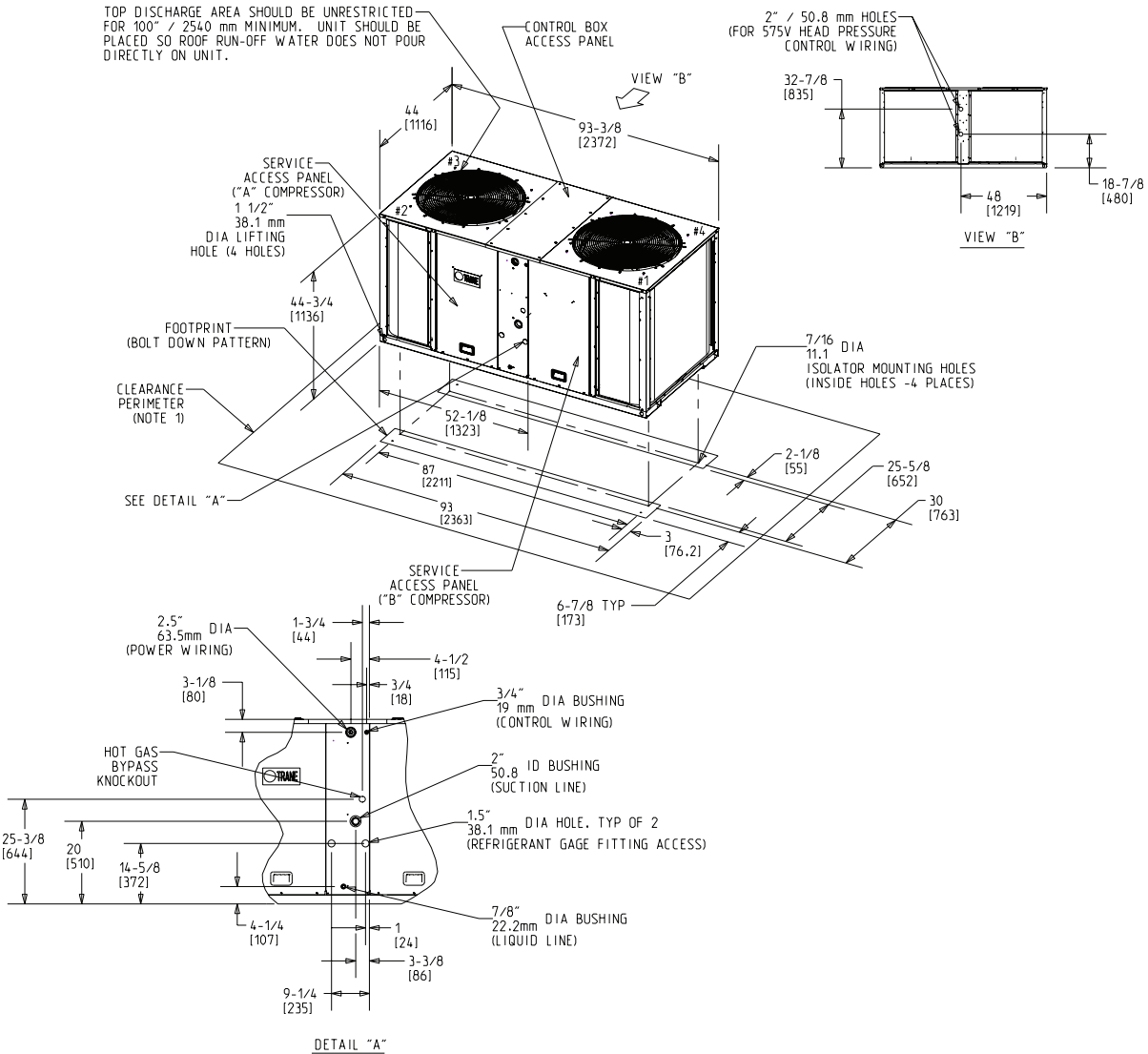
# Dimensional Data

Figure 2. TTA200F and TTA240F, Dimensional Data, Connection Location, Clearances, Corner Weights

MODEL NO.	APPROXIMATE CORNER WEIGHT (MASS)				TOTAL UNIT WEIGHT	TOTAL SHIPPING WEIGHT
	#1	#2	#3	#4		
TTA240F---A	292 lbs	181 lbs	222 lbs	140 lbs	835 lbs	920 lbs
TTA200FD--A	132 kg	82 kg	101 kg	64 kg	379 kg	418 kg

NOTES:

1. MINIMUM CLEARANCE FOR PROPER OPERATION IS 36" / 914 mm FROM WALLS SHRUBBERY, PRIVACY FENCES, ETC. MINIMUM CLEARANCE BETWEEN ADJACENT UNITS IS 72" / 1830 mm.
2. ALL DIMENSIONS ARE GIVEN IN INCH/MILLIMETERS.
3. ALL MASSES (WEIGHT) ARE GIVEN IN POUNDS-FORCE/KILOGRAMS.



MODEL NO.	APPROXIMATE CORNER WEIGHT (MASS)				TOTAL UNIT WEIGHT	TOTAL SHIPPING WEIGHT
	#1	#2	#3	#4		
TTA240F---A	292 lbs	181 lbs	222 lbs	140 lbs	835 lbs	920 lbs
TTA200FD--A	132 kg	82 kg	101 kg	64 kg	379 kg	418 kg

# Electrical Data

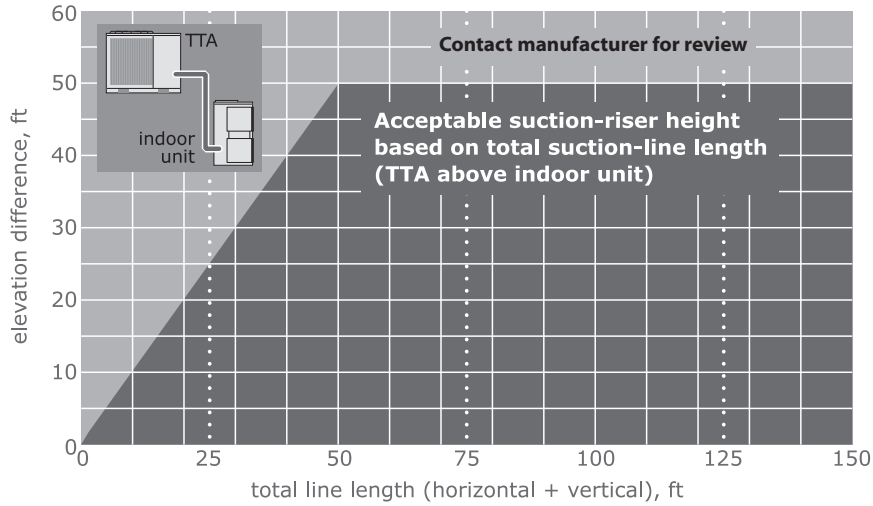
Table 2. TTA Unit Electrical Data

Model Number	Basic Unit Characteristics				Compressor Motor			Outdoor Fan Motor			
	Electrical Characteristics	Allowable Voltage Range	Minimum Circuit Ampacity	Maximum Fuse Size	Qty.	Amps		Qty.	HP	Amps	
						RLA	LRA			FLA	LRA
TTA240F3	208-230/60/3	187-254	89.4	110	2	35.3	239.0	2	1	5.0	14.4
TTA240F4	460/60/3	414-506	46.6	60	2	18.5	125.0	2	1	2.5	5.8
TTA240FK	380/60/3	342-418	-	-	2	-	-	2	1	3.4	7.8
TTA240FW	575/60/3	578-632	36.0	50	2	14.2	80.0	2	1	2.0	5.1
TTA200FD	380-415/50/3	380-415	48.8	60	2	20.0	118.0	2	1	1.9	5.8

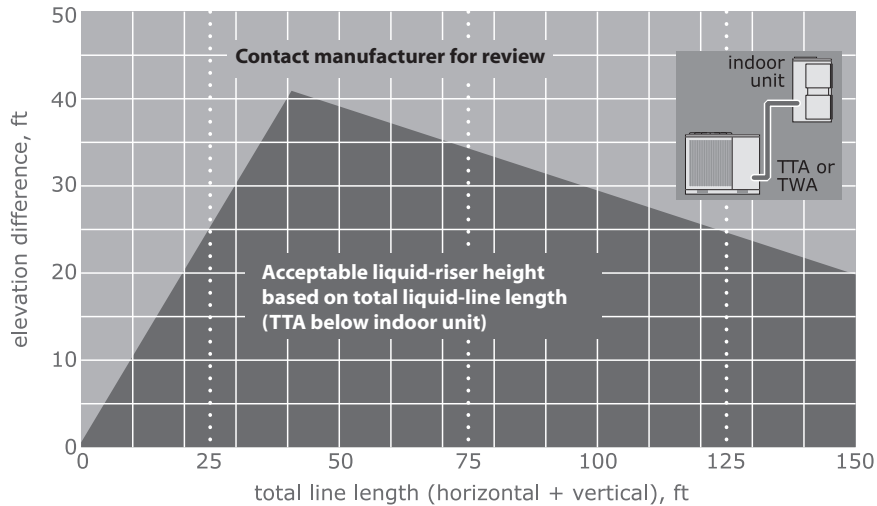
# Installation

## Refrigerant Piping Guidelines

**Figure 3. Allowable elevation difference: Cooling only TTA above indoor unit**



**Figure 4. Allowable elevation difference: TTA below indoor unit**



**1. Recommended allowable pressure drops (R-410A):**

Suction Line .....	5 psi
Liquid Line .....	50 psi

**Note:** Route refrigerant piping for minimum linear length, minimum number of bends and fittings (no reducers) and minimum amount of line exposed to outdoor ambients.

Recommended line sizes TTA200F and 240F:

Suction Line..... 1 5/8" sealed type L refrigerant tubing

Liquid Line..... 5/8" sealed type L refrigerant tubing

**Note:** Insulate all refrigerant piping and connections.

## Refrigerant Piping Procedures (Outdoor Units)

### NOTICE

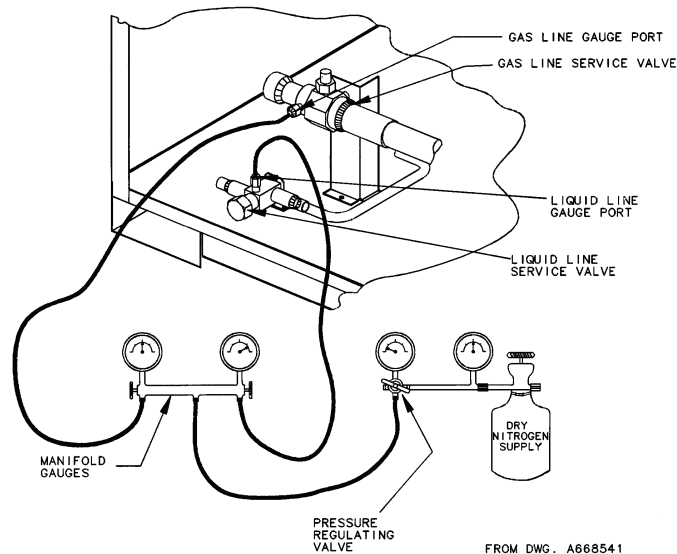
#### Operating Under Vacuum

**Do not operate or apply power to the compressor while under a vacuum. Failure to follow these instructions will result in compressor failure.**

Each TTA unit ships with a holding charge of dry nitrogen. The nitrogen should be removed and the entire system evacuated (at the proper time) to avoid possible contamination.

1. Remove the compressor service access panel.
2. Locate the liquid and suction line service valves. Check that the piping connection stubs on the valves (Figure 5) line up properly with the holes in the unit cabinet

**Figure 5. Roof Mounted Unit**



3. Remove the refrigerant connection seal caps and open the service valve slowly to release the nitrogen from the unit.

### NOTICE

#### System Component Damage!

**Do not remove the seal caps from refrigerant connections, or open the service valves until prepared to braze refrigerant lines to the connections. Excessive exposure to atmosphere (> 5 min.) may allow moisture or dirt to contaminate the system, damaging valve seals and causing ice formation in system components.**

**⚠️ WARNING****Hazard of Explosion and Deadly Gases!**

Never solder, braze or weld on refrigerant lines or any unit components that are above atmospheric pressure or where refrigerant may be present. Always remove refrigerant by following the guidelines established by the EPA Federal Clean Air Act or other state or local codes as appropriate. After refrigerant removal, use dry nitrogen to bring system back to atmospheric pressure before opening system for repairs. Mixtures of refrigerants and air under pressure may become combustible in the presence of an ignition source leading to an explosion. Excessive heat from soldering, brazing or welding with refrigerant vapors present can form highly toxic gases and extremely corrosive acids. Failure to follow all proper safe refrigerant handling practices could result in death or serious injury.

- Cut, fit and braze tubing, starting at the outdoor unit and work toward the indoor unit.

**Note:** Use long radius ells for all 90° bends.

All brazing should be done using a 2 to 3 psig dry nitrogen purge flowing through the pipe being brazed, [Figure 5](#).

**NOTICE****System Component Damage!**

Install a regulating valve between the nitrogen source and the gauge manifold ([Figure 5, p. 14](#)). Unregulated pressure can damage system components.

**NOTICE****System Component Damage!**

Wet-wrap all valves and protect painted surfaces from excessive heat. Heat can damage system components and the unit finish.

- Shut off nitrogen supply.

Shut off the manifold valve for the line that is connected to the suction line service valve. Disconnect the line from the gauge port on the valve.

**Refrigerant Piping Procedure (Indoor Unit)**

Once liquid and suction lines are complete to the refrigerant connections on the indoor unit, puncture the seal caps on the indoor unit connection stubs to release the dry nitrogen charge.

**NOTICE****Unit Damage!**

Do not apply heat to remove seal caps until they have been punctured. If seal caps are intact, application of heat may generate excessive pressure in the unit and result in damage to the coil or expansion valve.

- Remove both seal caps from the indoor unit connection stubs.

**NOTICE****Equipment Damage!**

Do not remove the seal caps from refrigerant connections, or open the service valves until prepared to braze refrigerant lines to the connections. Excessive exposure to atmosphere (> 5 min.) may allow moisture or dirt to contaminate the system, damaging valve seals and causing ice formation in system components.

- Turn nitrogen supply on. Nitrogen enters through liquid line gauge port.

3. Braze the liquid line connections.
4. Open the gauge port on the suction line and then braze the suction line to the connection stub. Nitrogen will bleed out the open gauge port on the suction line.
5. Shut off nitrogen supply.

### Leak Check

#### **WARNING** **Hazard of Explosion!**

Use only dry nitrogen with a pressure regulator for pressurizing unit. Do not use acetylene, oxygen or compressed air or mixtures containing them for pressure testing. Do not use mixtures of a hydrogen containing refrigerant and air above atmospheric pressure for pressure testing as they may become flammable and could result in an explosion. Refrigerant, when used as a trace gas should only be mixed with dry nitrogen for pressurizing units. Failure to follow these recommendations could result in death or serious injury or equipment or property-only damage.

#### **WARNING** **Hazard of Explosion!**

Never use an open flame to detect gas leaks. Explosive conditions may occur. Use a leak test solution or other approved methods for leak testing. Failure to follow recommended safe leak test procedures could result in death or serious injury or equipment or property-only damage.

After the brazing operation of refrigerant lines to both the outdoor and indoor unit is completed, the field brazed connections must be checked for leaks. Pressurize the system through the service valve with dry nitrogen to 200 psi. Use soap bubbles or other leak-checking methods to ensure that all field joints are leak free. If not, release pressure, repair and repeat leak test.

### System Evacuation

1. After completion of leak check, evacuate the system.
2. Attach appropriate hoses from manifold gauge to gas and liquid line pressure taps.

**Note:** *Unnecessary switching of hoses can be avoided and complete evacuation of all lines leading to sealed system can be accomplished with manifold center hose and connecting branch hose to a cylinder of R-410A and vacuum pump.*

3. Attach center hose of manifold gauges to vacuum pump.

### **NOTICE** **Operating Under Vacuum**

**Do not operate or apply power to the compressor while under a vacuum. Failure to follow these instructions will result in compressor failure.**

4. Evacuate the system to hold a 350 micron vacuum.
5. Close off valve to vacuum pump and observe the micron gauge. If gauge pressure rises above 500 microns in one (1) minute, then evacuation is incomplete or the system has a leak.
6. If vacuum gauge does not rise above 500 microns in one (1) minute, the evacuation should be complete.
7. With vacuum pump and micron gauge blanked off, open valve on R-410A cylinder and allow refrigerant pressure to build up to about 80 psig.
8. Close valve on the R-410A supply cylinder. Close valves on manifold gauge set and remove refrigerant charging hoses from liquid and gas gauge ports.
9. Leak test the entire system. Using proper procedures and caution, as described in the previous section, Leak Check repair any leaks found and repeat the leak test.



### Refrigerant Charging Procedure

If charging by weight, refer to refrigerant charges that are given in [Table 3](#). If additional refrigerant is needed because of length of line, calculate the requirement using [Table 4](#).

Charge by weight through the gauge port on the liquid line. Once the charge enters the system, backseat (open) the liquid line service valve and disconnect the charging line and replace the cap on the gauge port.

### Insulating and Isolating Refrigerant Lines

Insulate the entire suction line with refrigerant piping insulation. Also insulate any portion of the liquid line exposed to temperature extremes. Insulate and isolate liquid and suction lines from each other. Isolate refrigerant lines from the structure and any duct work.

**Note:** To prevent possible noise or vibration problems, be certain to isolate refrigerant lines from the building.

**Table 3. TTA Refrigerant Charge (R-410A)**

Model	Refrigerant Charge
TTA240F	41 lbs. 5.0 oz.
TTA200F	

**Note:** \*Sufficient operating charge for outdoor unit and 25 feet of nominally sized refrigerant piping.

**Table 4. Additional Required Refrigerant**

Tubing Sizes		Additional Tubing Length	Additional Refrigerant	See Note
Suction	Liquid			
1 5/8	"5/8	"15 ft.	1 lb 12 oz	1
1 5/8	"5/8	"25 ft.	3 lb 0 oz	1
1 5/8	"5/8	"32 ft.	3 lb 12 oz	1
1 5/8	"5/8	"40 ft.	4 lb 12 oz	1

**Note:** Amounts shown are based on 1.9 ounces of refrigerant per foot of 1 5/8" and 5/8" lines.

**Note:** For tubing over 40 ft. calculate the additional refrigerant needed, based on note above.

**Note:** For every 5 lbs. of refrigerant added over 20 lbs., 1 oz. of EMKARATE RL 32-3 MAF POE oil should be added to the compressors.

### Gaseous Charging

This procedure is accomplished with the unit operating. Electrical connections must be complete. Do not proceed until the system is ready to operate.

1. Connect R-410A drum with gauge manifold to the schrader valves (pressure taps) on the compressor discharge and suction lines, [Table 4, p. 17](#).

**Note:** On the TTA200F and 240F, there is a 1 1/2" diameter refrigerant gauge access hole(s) with a removable cap located adjacent to the refrigerant line openings.

### WARNING

#### Live Electrical Components!

During installation, testing, servicing and troubleshooting of this product, it may be necessary to work with live electrical components. Have a qualified licensed electrician or other individual who has been properly trained in handling live electrical components perform these tasks. Failure to follow all electrical safety precautions when exposed to live electrical components could result in death or serious injury.

2. Turn on power to the unit. Allow the system to run for 5 to 10 minutes to stabilize operating conditions.
3. Measure airflow across the indoor coil. Compare the measurements with the fan performance data in the Data/Submittal or Service Facts. Once proper airflow is established, observe the suction and head pressure gauges on the gauge manifold. Pressure reading should fall approximately at the points shown by the pressure curves in Service Facts.  
Add or remove refrigerant (gas only) as required to obtain correct head and suction pressures. Check suction line superheat and condenser sub-cooling to ensure the unit is operating properly.
4. Disconnect all power to the unit.
5. Remove the charging system from the unit.
6. Replace all panels.

## Electrical Wiring

### **WARNING**

#### **Electrocution and Fire Hazards with Improperly Installed and Grounded Field Wiring!**

**Improperly installed and grounded field wiring poses FIRE & ELECTROCUTION hazards. To avoid these hazards, you MUST follow requirements for field wiring installation and grounding as described in NEC and your local/state electrical codes. All field wiring MUST be performed by qualified personnel. Failure to follow these requirements could result in death or serious injury.**

TTA field wiring consists of providing power supply to the unit, installing the system indoor thermostat and providing low voltage system interconnecting wiring.

#### **Unit Power Supply**

The installer must provide line voltage circuit(s) to the unit main power terminals as shown by the unit wiring diagrams in Service Facts or field wiring. Power supply must include a disconnect switch in a location convenient to the unit. Ground the unit according to local codes and provide flexible conduit if codes require and/or if vibration transmission may cause noise problems.

**Important:** *All wiring must comply with applicable local and national (NEC) codes. Type and location of disconnect switches must comply with all applicable codes.*

#### **NOTICE**

#### **Equipment Damage!**

**Use copper conductors only! Unit terminals are not designed to accept other types of conductors. Failure to do so could result in possible equipment damage.**

#### **Field Wiring- Electromechanical Control**

Determine proper wire sizes and unit protective fusing requirements by referring to the unit nameplate and/or the unit Service Facts. Field wiring diagrams for accessories are shipped with the accessory.

**⚠ WARNING**

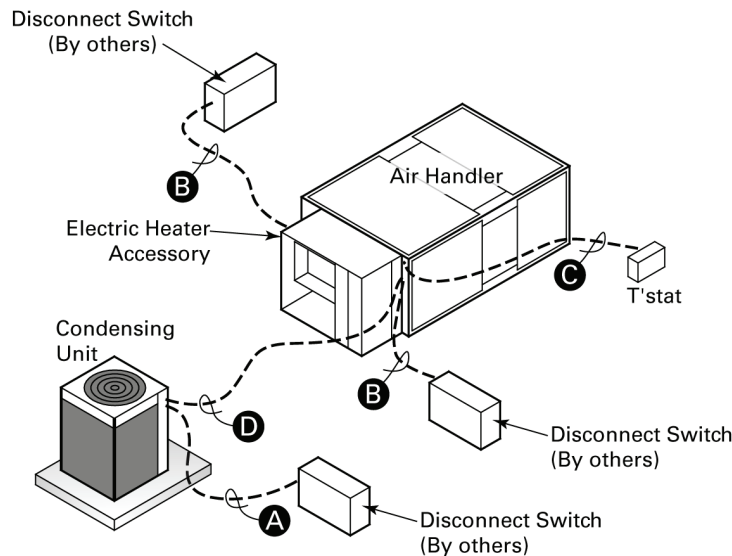
**Hazardous Voltage w/Capacitors!**

Disconnect all electric power, including remote disconnects and discharge all motor start/run capacitors before servicing. Follow proper lockout/tagout procedures to ensure the power cannot be inadvertently energized. For variable frequency drives or other energy storing components provided by Trane or others, refer to the appropriate manufacturer's literature for allowable waiting periods for discharge of capacitors. Verify with an appropriate voltmeter that all capacitors have discharged. Failure to disconnect power and discharge capacitors before servicing could result in death or serious injury.

**Low Voltage Wiring**

Mount the indoor thermostat in accordance with the thermostat installation instructions. Install color-coded, weather-proof, multi-wire cable according to the Interconnecting Wiring diagrams in the Air Handler IOM.

**Figure 6. Typical Field Wiring - Electromechanical Control**



**Notes:**

1. Wiring shown with dashed lines is to be furnished and installed by the customer. All customer supplied wiring must be copper only and must conform to NEC and local electrical codes. Codes may require line of sight between disconnect switch and unit.
2. When electric heater accessory is used, single point or dual point power entry is optional, since single point power option is through electric heater only.

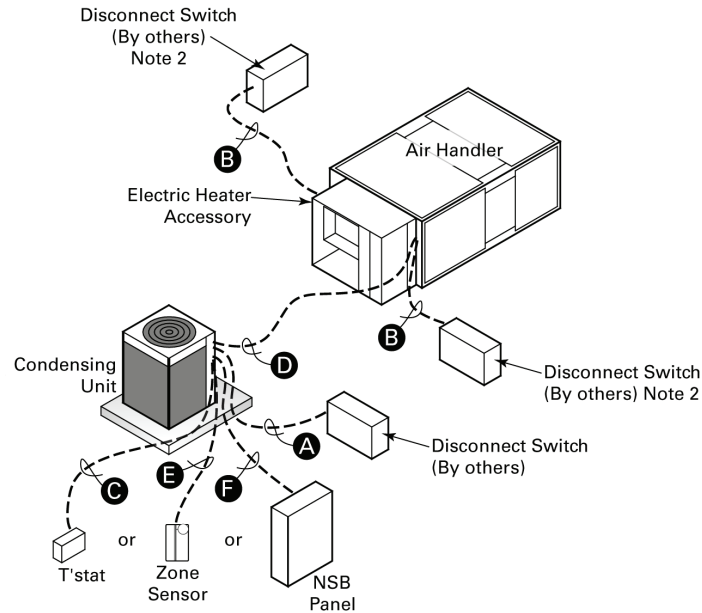
**TTA200F/TWE240E**

**Field Wiring:**

- A. 3 power wires, line voltage
- B. 3 power wires, line voltage for 3 phase; 2 wires for single phase
- C. Cooling only thermostat: 5 wires, 24 volts<sup>1</sup>
  - One stage electric heat: add 1 additional wire, 24 volts
  - Two stage electric heat: add 2 additional wires, 24 volts
- D. Add 5 wires, 24 volts

<sup>1</sup> Choose only 1 of the following: thermostat, zone sensor, or NSB panel

**Figure 7. Typical Field Wiring - ReliaTel™ Control**



**Notes:**

1. Wiring shown with dashed lines is to be furnished and installed by the customer. All customer supplied wiring must be copper only and must conform to NEC and local electrical codes. Codes may require line of sight between disconnect switch and unit.
2. When electric heater accessory is used, single point or dual point power entry is optional, since single point power option is through electric heater only.

**TTA240F/TWE240E**

**Field Wiring:**

- A. 3 power wires, line voltage
- B. 3 power wires, line voltage for 3 phase; 2 wires for single phase
- C. Cooling only thermostat: 5 wires, 24 volts<sup>1</sup>
  - One stage electric heat: add 1 additional wire, 24 volts
  - Two stage electric heat: add 2 additional wires, 24 volts
- D. Add 5 wires, 24 volts
  - One stage electric heat: add 1 additional wire, 24 volts
  - Two stage electric heat: add 2 additional wires, 24 volts
- E. Zone Sensor: 2 wires minimum or 10 wires maximum, 24 volts<sup>1</sup>
- F. NSB Panel: 8 wires, 24 volts<sup>1</sup>

<sup>1</sup> Choose only 1 of the following: thermostat, zone sensor, or NSB panel

Field Wiring

Figure 8. Night Setback Panel Field Wiring

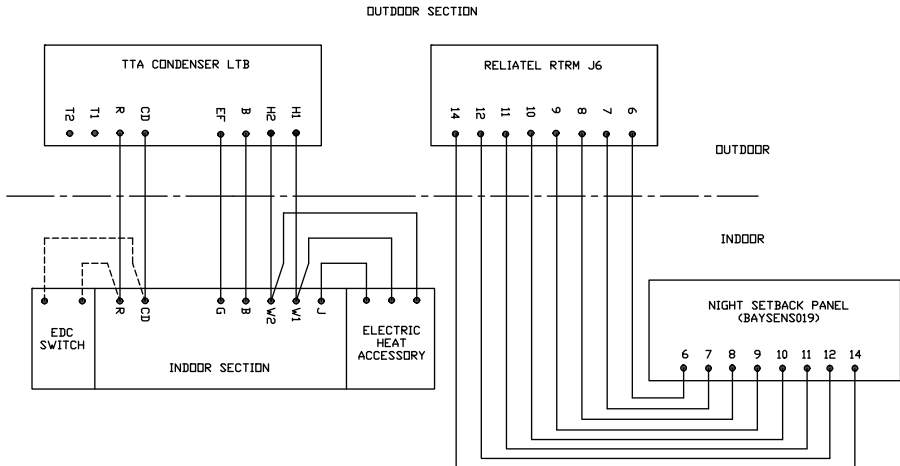


Figure 9. Zone Sensor Field Wiring

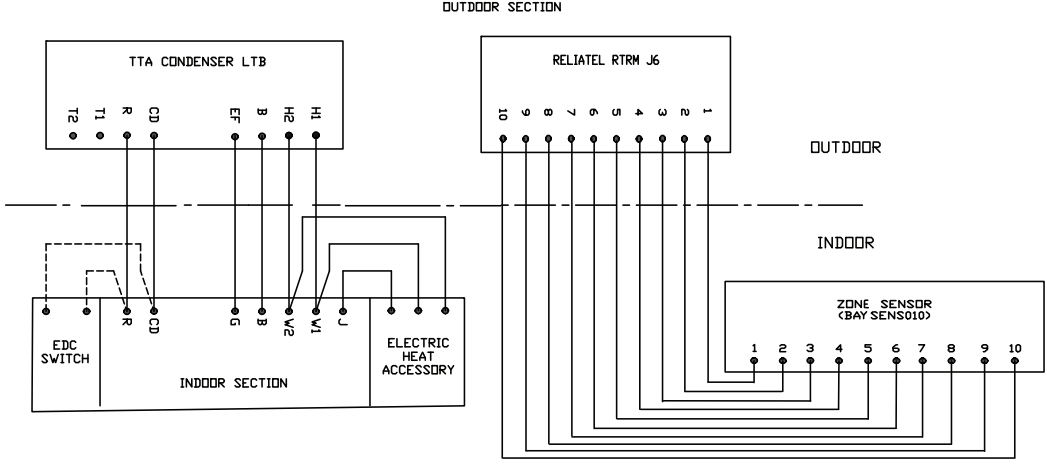
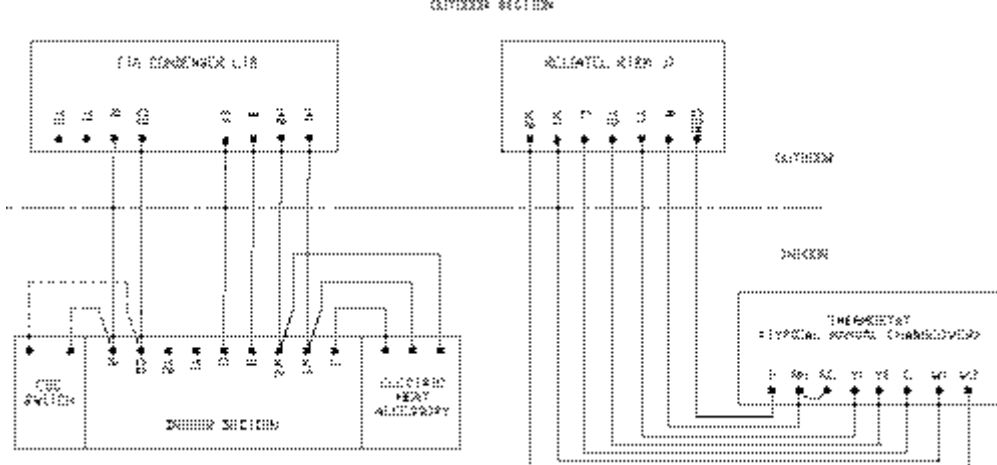


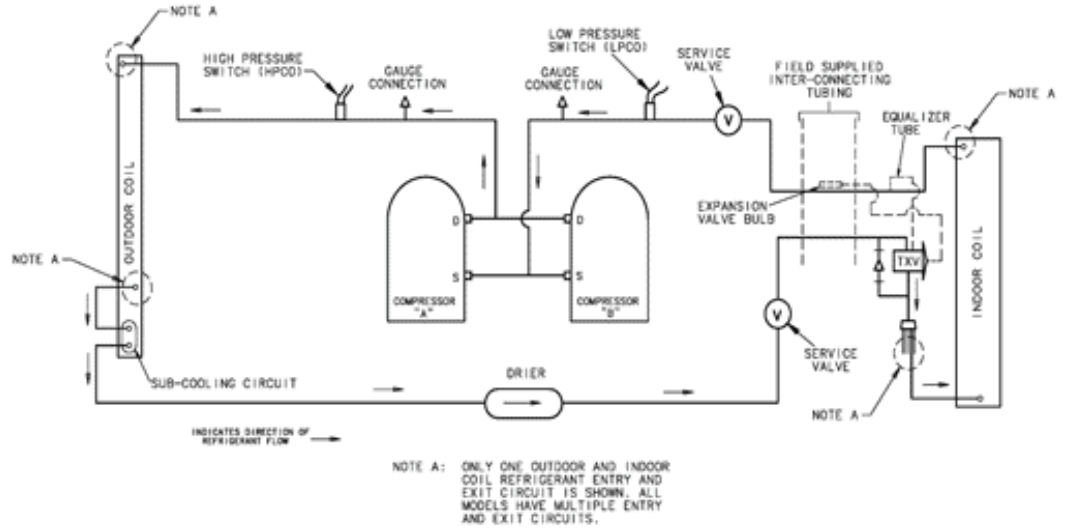
Figure 10. Zone Sensor Field Wiring



# Installation

## Refrigerant Circuit

Figure 11. TTA240F-TWE240E Refrigerant Circuit



# Pre-Start

## Control Circuit Features

**Note:** *Not all of these features may be required for your unit, check electrical schematic.*

### Low Outdoor Ambient Cooling

The Evaporator Defrost Control is standard equipment on Air Handlers and will permit low ambient cooling down to 50°F. For cooling operation down to 0°F, use an Accessory Head Pressure Control on the outdoor unit.

### Evaporator Defrost Control (EDC)

This control is located in the Air Handler of Split Units. The control's sensing tube is embedded vertically in the evaporator coil, near the center. This device will stop the compressor if the indoor coil temperature drops below its setting. The indoor air will still circulate across the coil bringing the temperature of the coil back up to the cut-in temperature of the evaporator defrost control.

### Low Pressure Cut-Out (LPCO)

This control's sensor is located in the suction (gas) line, near the compressor. This control will stop the compressor and the outdoor fans if suction pressure drops below the Low Pressure Cut-Out setting. Once the suction pressure has returned to normal, the compressor and outdoor fans will cycle back on.

### High Pressure Cut-Out (HPCO)

This control's sensor is located in the discharge line. This device will shut off the compressor and the outdoor fan(s) if the discharge pressure exceeds the High Pressure Cut-Out's setting. Once the discharge pressure has returned to normal, the compressor will cycle back on.

### Internal Overload Protector (IOL)

This device is a thermal actuated snap disc, embedded in the compressor. It will shut off the compressor if the discharge temperature of the compressor exceeds its design trip temperature.

**Note:** *The IOL will put the compressor back in operation once the compressor motor heat has dropped below the trip setting; however, a check of the refrigerant and electrical systems should be made to determine the cause and be corrected.*

## Installation Checklist

Complete this checklist once the unit is installed to verify that all recommended procedures have been accomplished before starting the system. Do not operate the system until all items covered by this checklist are complete.

1. Inspect unit location for proper required service clearances.
2. Inspect unit location for proper free air clearances.
3. Inspect unit location for secure, level mounting position.

## Refrigerant Piping

1. Properly sized/constructed liquid and suction lines connected to stubs at both the indoor and outdoor units?
2. Insulated the entire suction line?
3. Insulated portions of liquid line exposed to extremes in temperature?
4. Performed initial leak test?
5. Evacuated each refrigerant circuit to 350 microns?
6. Charged each circuit with proper amount of R-410A?

### **Electrical Wiring**

1. Provided unit power wiring (with disconnect) to proper terminals in the unit control section?
2. Installed system indoor thermostat?
3. Installed system low voltage interconnecting wiring to proper terminals of outdoor unit, indoor unit and system thermostat?



# Start-Up

## Electromechanical Controls

**Unit Model Number Digits 9 and 10 = 00 or 0S**

### Sequence of Operation

Once the unit is properly installed and pre-start procedures are complete, start the unit by turning the System Switch on the indoor thermostat to either HEAT, COOL or AUTO. The system should operate normally.

### **NOTICE**

#### **Equipment Damage!**

**Ensure the disconnect for the indoor air handler is closed before operating the system. Operating the outdoor unit without the indoor fan energized can cause unit trip-out on high pressure control and/or liquid flood back to the compressor.**

### General

Operation of the system cooling (and optional heating) cycles is controlled by the position of the system switch on the room thermostat. Once the system switch is placed in either the **HEAT** or **COOL** position, unit operation is automatic. The optional automatic changeover thermostat, when in the **AUTO** position, automatically changes to heat or cool with sufficient room temperature change.

### Evaporator Fan (Indoor Supply Air)

The evaporator fan is controlled by an **ON/AUTO** switch on the room thermostat. With the switch positioned at **AUTO** and the system operating in the cooling mode, fan operation coincides with the cooling run cycles. If the system is equipped with heat and is operating in the heating mode while the fan switch is at **AUTO**, fan operation coincides with the heating run cycles. When the fan switch is positioned at **ON**, fan operation is continuous.

### Cooling Mode

With the disconnect switch in the **ON** position, current is supplied to the compressor sump heater(s) and control transformer. The sump heater(s) supplies heat to the compressor(s) during the **"Off"** cycle. The transformer steps down the line voltage to 24V for the low voltage control circuit. When the room thermostat system switch is positioned at **COOL** and the fan switch is at **AUTO**, the compressor contactor energizes on a call for cooling. When the contacts of the compressor contactor close, operation of the compressor and condenser fan begins. The evaporator fan contactor also energizes on a call for cooling and initiates evaporator fan operation.

On units with dual circuits, the second stage of cooling is initiated as a result of the 2-stage thermostat calling for additional cooling.

### ReliaTel™ Control

#### Unit Model Number Digits 9 and 10 = 0R, 0T, OU or OW

#### Sequence of Operation

Once the unit is properly installed and pre-start procedures are complete, start the unit by turning the System Switch on the indoor thermostat to either HEAT, COOL or AUTO. The system should operate normally.

#### **NOTICE**

#### **Equipment Damage!**

**Ensure the disconnect for the indoor air handler is closed before operating the system. Operating the outdoor unit without the indoor fan energized can cause unit trip-out on high pressure control and/or liquid flood back to the compressor.**

The ReliaTel™ Controls is a microelectronic control feature, which provides operating functions that are significantly different than conventional Electromechanical units. The ReliaTel™ Refrigeration Module (**RTRM**) uses Proportional/Integral control algorithms to perform specific unit functions that govern the unit operation in response to application conditions.

The RTRM provides compressor anti-short cycle timing functions through minimum **“Off”** and **“On”** timing to increase reliability, performance and to maximize unit efficiency. Upon power initialization, the RTRM performs self-diagnostic checks to ensure that all internal controls are functioning. It checks the configuration parameters against the components connected to the system. The Light Port LED located on the RTRM module is turned **“On”** within one second after power-up if all internal operations are okay.

### ReliaTel™ Control Cooling Mode

#### For Zone Sensor Control

When the system switch is set to the **COOL** position and the zone temperature rises above the cooling setpoint, the RTRM energizes the compressor contactor, provided the high and low pressure controls are closed. When the compressor contacts close, the compressor and the outdoor fan motor start to maintain the zone temperature to within  $\pm 2^\circ\text{F}$  of the sensor setpoint at the sensed location. On units with dual circuits, the second stage of cooling is initiated as a result of the Proportional/Integral control algorithms calling for additional cooling.

#### For Thermostat Control:

When the room thermostat system switch is positioned at **COOL** and the fan switch is at **AUTO**, the RTRM energizes the compressor contactor, provided the high and low pressure controls are closed. When the contacts of the compressor contactor close, operation of the compressor and condenser fan begins. The evaporator fan contactor also energizes on a call for cooling and initiates evaporator fan operation. On units with dual circuits, the second stage of cooling is initiated as a result of the 2-stage thermostat calling for additional cooling.

**Note:** *Irregular unit operation may occur when the unit is controlled with a triac-switching thermostat. Please review the approved thermostat vendor list for all recommended relay-switching thermostats.*

#### ReliaTel™ Control Evaporator Fan Operation

When the fan selection switch is set to the **AUTO** position, the RTRM energizes the evaporator fan relay coil approximately 1 second after energizing the compressor contactor coil in the cooling mode. In the heating mode, the RTRM energizes the evaporator fan relay coil approximately 1 second before energizing the electric heat contactors. The RTRM de-energizes the evaporator fan relay coil approximately 60 seconds after the cooling requirement has been satisfied to enhance unit efficiency. When the heating cycle is terminated, the evaporator fan relay coil is de-energized

at the same time as the heater contactors. When the fan selection switch is set to the **ON** position, the RTRM keeps the evaporator fan relay coil energized for continuous fan motor operation.

### **ReliaTel™ Control Heating Operation**

When the system switch is set to the **HEAT** position and heating is required, the RTRM energizes the Heat 1 relay coil. When the Heat 1 relay contacts close, the first stage electric heat contactor is energized. If the first stage of electric heat cannot satisfy the heating requirement, the RTRM energizes the Heat 2 relay coil. When the Heat 2 relay contacts close, the second stage electric heat contactor is energized. The first and second stages of heat are cycled **"On"** and **"Off"** as required to maintain the zone.

# Service Test Modes ReliaTel™ Controls

## Test Modes

Upon power initialization, the RTRM performs self-diagnostic checks to ensure that all internal controls are functional. It also checks the configuration parameters against the components connected to the system. The Liteport LED located on the RTRM module is turned “On” within one second of power-up if internal operation is okay.

Use one of the following "Test" procedures to bypass some time delays and to start the unit at the control panel. Each step of unit operation can be activated individually by temporarily shorting across the "Test" terminals for 2 to 3 seconds. The Liteport LED located on the RTRM module will blink when the test mode has been initiated. The unit can be left in any "Test" step for up to one hour before it will automatically terminate, or it can be terminated by opening the main power disconnect switch. Once the test mode has been terminated, the Liteport LED will glow continuously and the unit will revert to the “System” control.

There are three methods in which the “Service Test” can be cycled at LTB-Test 1(T1) and LTB-Test 2 (T2).

### 1. Step Test Mode

This method initiates the different components of the unit, one at a time, by temporarily shorting across the two test terminals for 2 to 3 seconds.

For the initial start-up of the unit, this method allows the technician to cycle a component “On” and have up to one hour to complete the check. Service Test Mode will be ignored if a short is present across Test 1 and Test 2 at start-up.

### 2. Resistance Test Mode

This method can be used for start-up providing a decade box for variable resistance outputs is available. This method initiates the different components of the unit, one at a time, when a specific resistance value is placed across the two test terminals. The unit will remain in the specific test mode for approximately one hour even though the resistance is left on the test terminals.

**Table 5. Service Test Guide for Component Operation**

Test Step	Mode	Fan	Comp 1	Comp 2	Heat 1	Heat 2	Ohms
1	Fan	On	Off	Off	Off	Off	2.2KW
2	Cool 1	On	On <sup>(a)</sup>	Off	Off	Off	4.7KW
3 <sup>(b)</sup>	Cool 2	On	On <sup>(a)</sup>	On <sup>(a)</sup>	Off	Off	6.8KW
4 <sup>(b)</sup>	Heat 1	On	Off	Off	On	Off	10KW
5 <sup>(b)</sup>	Heat 2	On	Off	Off	On	On	15KW

(a) The condenser fans will operate any time a compressor is ON providing the outdoor air temperature is within the operating value.

(b) Steps for optional accessories and non-applicable modes in unit will be skipped.

### 3. Auto Test Mode

This method is not recommended for start-up due to the short timing between individual component steps. This method initiates the different components of the unit, one at a time, when a fixed jumper is installed across the test terminals. The unit will start the first test step and change to the next step every 30 seconds. At the end of the test mode, control of the unit will automatically revert to the applied "System" control method. For unit test steps, test modes, and step resistance values to cycle the various components, refer to [Table 5](#).

# Maintenance

Perform all of the indicated maintenance procedures at the intervals scheduled. This will prolong the life of the unit and reduce the possibility of costly equipment failure.

## Monthly

Conduct the following maintenance inspections once per month.

The following warning complies with State of California law, Proposition 65.

### **WARNING** **Fiberglass Wool!**

**Product contains fiberglass wool. Disturbing the insulation in this product during installation, maintenance or repair will expose you to airborne particles of glass wool fibers and ceramic fibers known to the state of California to cause cancer through inhalation. Glass wool fibers may also cause respiratory, skin or eye irritation.**

### **WARNING** **Hazardous Voltage w/Capacitors!**

**Disconnect all electric power, including remote disconnects and discharge all motor start/run capacitors before servicing. Follow proper lockout/tagout procedures to ensure the power cannot be inadvertently energized. For variable frequency drives or other energy storing components provided by Trane or others, refer to the appropriate manufacturer's literature for allowable waiting periods for discharge of capacitors. Verify with an appropriate voltmeter that all capacitors have discharged. Failure to disconnect power and discharge capacitors before servicing could result in death or serious injury.**

## **NOTICE** **Operating Under Vacuum**

**Do not operate or apply power to the compressor while under a vacuum. Failure to follow these instructions will result in compressor failure.**

1. Inspect air filters and clean if necessary.
2. Check unit wiring to ensure all connections are tight and that the wiring insulation is intact.
3. Check drain pans and condensate piping to insure they are free of obstacles.
4. Manually rotate the indoor fan to ensure proper operation.
5. Inspect the evaporator and condenser coils for dirt and debris. If the coils appear dirty, clean them.
6. With the unit operating in the cooling mode, check the suction and discharge pressures and compare them with Pressure Curve values in unit Service Facts. Record these readings on the "Maintenance Log."
7. Observe indoor fan operation and correct any unusual or excessive vibration. Clean blower wheels as needed.

## **Annually (Cooling Season)**

The following maintenance procedures must be performed at the beginning of each cooling season to ensure efficient unit operation.

1. Perform all of the monthly maintenance inspections.
2. With the unit operating, check unit superheat and record the reading in the "Maintenance Log."
3. Remove any accumulation of dust and/or dirt from the unit casing.
4. Remove corrosion from any surface and repaint. Check the gasket around the control panel door to ensure it fits correctly and is in good condition to prevent water leakage.

## Maintenance

---

5. Inspect the evaporator fan belt. If it is worn or frayed, replace it.
6. Inspect the control panel wiring to ensure that all connections are tight and that the insulation is intact.

Lubricate the indoor fan motor bearing with a non detergent 20-weight oil. (To ensure good bearing lubrication, condenser fan motor bearings should be lubricated once every six months.)

**Note:** *Some motors are permanently lubricated.*

7. Check refrigerant piping and fittings for leaks.

### Precautionary Measures

- Avoid breathing fiberglass dust.
- Use a NIOSH approved dust/mist respirator.
- Avoid contact with the skin or eyes. Wear long-sleeved, loose-fitting clothing, gloves, and eye protection.
- Wash clothes separately from other clothing: rinse washer thoroughly.
- Operations such as sawing, blowing, tear-out, and spraying may generate fiber concentrations requiring additional respiratory protection. Use the appropriate NIOSH approved respirator in these situations.

### First Aid Measures

**Eye Contact - Flush eyes with water to remove dust. If symptoms persist, seek medical attention.**

**Skin Contact - Wash affected areas gently with soap and warm water after handling.**



# Troubleshooting

## Trouble Shooting ReliaTel™ Controls

The RTRM has the ability to provide the service personnel with some unit diagnostics and system status information.

Before turning the main power disconnect switch "Off," follow the steps below to check the ReliaTel™ Refrigeration Module (RTRM). All diagnostics & system status information stored in the RTRM will be lost when the main power is turned "**Off**".

### **WARNING**

#### **Live Electrical Components!**

**During installation, testing, servicing and troubleshooting of this product, it may be necessary to work with live electrical components. Have a qualified licensed electrician or other individual who has been properly trained in handling live electrical components perform these tasks. Failure to follow all electrical safety precautions when exposed to live electrical components could result in death or serious injury.**

To prevent injury or death from electrocution, it is the responsibility of the technician to recognize this hazard and use extreme care when performing service procedures with the electrical power energized.

**Note:** *The J6 & J7 screw terminals must be tightened in order to accurately measure voltage in the required steps.*

1. Verify that the Liteport LED on the RTRM is burning continuously. If the LED is lit, go to [Step 3](#).
2. If the LED is not lit, verify that 24 VAC is present between J1-1 and J1-2. If 24 VAC is present, proceed to Step 3. If 24 VAC is not present, check the unit main power supply, check transformer (TNS1). Proceed to [Step 3](#) if necessary.
3. Utilizing "Method 1" or "Method 2" in the "System Status Diagnostic" section, check the following:
  - System status
  - Heating status
  - Cooling status

**Note:** *If a System failure is indicated, proceed to Step 4. If no failures are indicated, proceed to [Step 5](#).*

4. If a System failure is indicated, recheck [Step 1](#) and [Step 2](#). If the LED is not lit in [Step 1](#), and 24 VAC is present in [Step 2](#), then the RTRM has failed. Replace the RTRM.
5. If no failures are indicated, use one of the TEST mode procedures described in the "Unit Start-Up" section to start the unit. This procedure will allow you to check all of the RTRM outputs, and all of the external controls (relays, contactors, etc.) that the RTRM outputs energize, for each respective mode. Proceed to [Step 6](#).
6. Step the system through all of the available modes, and verify operation of all outputs, controls, and modes. If a problem in operation is noted in any mode, you may leave the system in that mode for up to one hour while troubleshooting. Refer to the sequence of operations for each mode, to assist in verifying proper operation. Make the necessary repairs and proceed to [Step 7](#) and [Step 8](#).
7. If no abnormal operating conditions appear in the test mode, exit the test mode by turning the power "Off" at the main power disconnect switch.
8. Refer to the individual component test procedures if other microelectronic components are suspect.



## System Status Checkout Procedure

"System Status" is checked by using one of the following two methods:

**Method 1.** If the Zone Sensor Module (ZSM) is equipped with a remote panel with LED status indication, you can check the unit within the space. If the ZSM does not have LED's, use Method 2. BAYSENS010B, BAYSENS011B, BAYSENS019A, BAYSENS020A, BAYSENS021A & BAYSENS023A all have the remote panel indication feature. The LED descriptions are listed below.

### **LED 1 (System)**

- "On" during normal operation.
- "Off" if a system failure occurs or the LED fails.
- "Flashing" indicates test mode.

### **LED 2 (Heat)**

- "On" when the heat cycle is operating.
- "Off" when the heat cycle terminates or the LED fails.
- "Flashing" indicates a heating failure.

### **LED 3 (Cool)**

- "On" when the cooling cycle is operating.
- "Off" when the cooling cycle terminates or the LED fails.
- "Flashing" indicates a cooling failure.

The following information describes the complete listing of failure indication causes.

### **System Failure**

Check the voltage between terminals 6 and 9 on J6, it should read approximately 32 VDC. If no voltage is present, a System failure has occurred. Refer to [Step 4](#) in the previous section for the recommended troubleshooting procedure.

### **Cooling Failure**

1. Cooling and heating set point (slide pot) on the zone sensor has failed. Refer to the "Zone Sensor Test Procedure" section.
2. Zone temperature thermistor ZTEMP on ZTS failed. Refer to the "Zone Sensor Test Procedure" section.
3. CC1 or CC2 24 VAC control circuit has opened, check CC1 & CC2 coils, and any of the controls below that apply to the unit (HPC1, HPC2).
4. LPC1 has opened during the 3 minute minimum "on time" during 4 consecutive compressor starts, check LPC1 or LPC2 by testing voltage between the J1-8 & J3-2 terminals on the RTRM and ground. If 24 VAC is present, the LPCs have not tripped. If no voltage is present, LPCs have tripped.

## Simultaneous Heat and Cool Failure

1. Emergency Stop is activated.

### **Method 2**

The second method for determining system status is done by checking voltage readings at the RTRM (J6). The system indication descriptions and the approximate voltages are listed below.

### **System Failure**

Measure the voltage between terminals J6-9 & J6-6.

- Normal Operation = approximately 32 VDC
- System Failure = less than 1 VDC, approximately 0.75 VDC
- Test Mode = voltage alternates between 32 VDC & 0.75 VDC

### **WARNING**

#### **Live Electrical Components!**

**During installation, testing, servicing and troubleshooting of this product, it may be necessary to work with live electrical components. Have a qualified licensed electrician or other individual who has been properly trained in handling live electrical components perform these tasks. Failure to follow all electrical safety precautions when exposed to live electrical components could result in death or serious injury.**

#### **Heat Failure**

Measure the voltage between terminals J6-7 & J6-6.

- Heat Operating = approximately 32 VDC
- Heat Off = less than 1 VDC, approximately 0.75 VDC
- Heating Failure = voltage alternates between 32 VDC & 0.75 VDC

#### **Cool Failure**

Measure the voltage between terminals J6-8 & J6-6.

- Cool Operating = approximately 32 VDC
- Cool Off = less than 1 VDC, approximately 0.75 VDC
- Cooling Failure = voltage alternates between 32 VDC & 0.75 VDC

To use LED's for quick status information at the unit, purchase a BAYSENS010B ZSM and connect wires with alligator clamps to terminals 6 through 10. Connected each respective terminal wire (6 through 10) from the Zone Sensor to the unit J6 terminals 6 through 10.

**Note:** *If the system is equipped with a programmable zone sensor, (BAYSENS019A, or BAYSENS023A), the LED indicators will not function while the BAYSENS010A is connected.*

## **Resetting Cooling and Heating Lockouts**

Cooling Failures and Heating Lockouts are reset in an identical manner. Method 1 explains resetting the system from the space; Method 2 explains resetting the system at the unit.

**Note:** *Before resetting Cooling Failures and Heating Lockouts check the Failure Status Diagnostics by the methods previously explained. Diagnostics will be lost when the power to the unit is disconnected.*

### **Method 1**

To reset the system from the space, turn the **MODE** selection switch at the zone sensor to the **OFF** position. After approximately 30 seconds, turn the **MODE** selection switch to the desired mode, i.e. **HEAT, COOL, or AUTO**.

### **Method 2**

To reset the system at the unit, cycle the unit power by turning the disconnect switch "**Off**" and then "**On**".

Lockouts can be cleared through the building management system. Refer to the building management system instructions for more information.

## Zone Temperature Sensor (ZTS) Service Indicator

The ZSM SERVICE LED is a generic indicator that will signal the closing of a Normally Open switch at any time, providing the Indoor Motor (IDM) is operating. This indicator is usually used to indicate an airside fan failure.

The RTRM will ignore the closing of this Normally Open switch for 2 (±1) minutes. This helps prevent nuisance SERVICE LED indications.

### Temperature Tests

**Note:** *These procedures are not for programmable or digital models and are conducted with the Zone Sensor Module electrically removed from the system.*

#### Test 1 - Zone Temperature Thermistor (ZTEMP)

This component can be tested by measuring the resistance between terminals 1 and 2 on the Zone Temperature Sensor. Below are some typical indoor temperatures, and corresponding resistive values.

**Table 6. Typical Indoor Temperatures and Values**

<b>Zone Temperature</b>	<b>Nominal Resistance</b>
50°F or 10.0°C	19.9 Kohms
55°F or 12.8°C	17.47 Kohms
60°F or 15.6°C	15.3 Kohms
65°F or 18.3°C	13.49 Kohms
70°F or 21.1°C	11.9 Kohms
75°F or 23.9°C	10.50 Kohms
80°F or 26.7°C	9.3 Kohms
85°F or 29.4°C	8.25 Kohms
90°F or 32.2°C	7.3 Kohms

#### Test 2 - Cooling Set Point (CSP) and Heating Set Point (HSP)

##### **Cool SP = Terminals 2 and 3**

Range = 100 to 900 Ohms approximate

##### **Heat SP = Terminals 2 and 5**

Range = 100 to 900 Ohms approximate

**Table 7. Test 3 - System Mode and Fan Selection**

Resistance Valves (Ohms)	Zone Sensor Unit/Fan Mode	Local Unit Mode	Local Fan Mode
2.32K	Off/Auto	Off	Auto
4.87K	Cool/Auto	Cool	Auto
7.68K	Auto/Auto	Auto	Auto
10.77K	Off/On	Off	On
13.32K	Cool/On	Cool	On
16.13K	Auto/On	Auto	On
19.48K	Heat/Auto	Heat	Auto
27.93K	Heat/On	Heat	On
35.0K	Emergency Heat/Auto	Emergency Heat	Auto
43.45K	Emergency Heat/On	Emergency Heat	On
Out of Range (Short)	INVALID/Short	Invalid (CV), Auto (VAV)	Invalid
Out of Range (Open)	INVALID/Open	Invalid (CV), Off (VAV)	Invalid

### Test 3 - System Mode and Fan Selection

The combined resistance of the Mode selection switch and the Fan selection switch can be measured between terminals 2 and 4 on the Zone Sensor. The possible switch combinations are listed in [Table 7, p. 36](#) with their corresponding resistance values.

### Test 4 - LED Indicator Test, (SYS ON, HEAT, & COOL)

#### Method 1

Testing the LED using a meter with diode test function. Test both forward and reverse bias. Forward bias should measure a voltage drop of 1.5 to 2.5 volts, depending on your meter. Reverse bias will show an Over Load, or open circuit indication if LED is functional.

#### Method 2

Testing the LED with an analog Ohmmeter. Connect Ohmmeter across LED in one direction, then reverse the leads for the opposite direction. The LED should have at least 100 times more resistance in reverse direction, as compared with the forward direction. If high resistance in both directions, LED is open. If low in both directions, LED is shorted.

#### Method 3

To test LED's with ZSM connected to unit, test voltages at LED terminals on ZSM. A measurement of 32 VDC, across an unlit LED, means the LED has failed.

**Important:** *Measurements should be made from LED common (ZSM terminal 6 to respective LED terminal). Refer to the Zone Sensor Module (ZSM) Terminal Identification table at the beginning of this section.*

## Programmable & Digital Zone Sensor Test

### Testing serial communication voltage

1. Verify 24 VAC is present between terminals J6-14 & J6-11.

### **WARNING**

#### **Live Electrical Components!**

**During installation, testing, servicing and troubleshooting of this product, it may be necessary to work with live electrical components. Have a qualified licensed electrician or other individual who has been properly trained in handling live electrical components perform these tasks.**

**Failure to follow all electrical safety precautions when exposed to live electrical components could result in death or serious injury.**

2. Disconnect wires from J6-11 and J6-12. Measure the voltage between J6-11 and J6-12, should be about 32 VDC.
3. Reconnect wires to terminals J6-11 and J6-12. Measure voltage again between J6-11 and J6-12, voltage should flash high and low every 0.5 seconds. The voltage on the low end will measure about 19 VDC, while the voltage on the high end will measure from approximately 24 to 38 VDC.
4. Verify all modes of operation, by running the unit through all of the steps in the "Test Modes" section discussed in "Unit Start-Up."
5. After verifying proper unit operation, exit the test mode. Turn the fan on continuously at the ZSM, by pressing the button with the fan symbol. If the fan comes on and runs continuously, the ZSM is good. If you are not able to turn the fan on, the ZSM is defective.

#### **RLCI Loss of Communications**

If the RLCI loses input from the building management system, the RTRM will control in the default mode after approximately 15 minutes. If the RTRM loses the Heating and Cooling setpoint input, the RTRM will control in the default mode instantaneously. The temperature sensing thermistor in the Zone Sensor Module is the only component required for the "Default Mode" to operate.

# Warranty

## TTA (Parts Only)

This warranty is extended by Trane to the original purchaser and to any succeeding owner of the real property to which the Air Conditioner is originally affixed, and applies to products purchased and retained for use within the U.S.A. and Canada. There is no warranty against corrosion, erosion or deterioration.

If any part of your Air Conditioner fails because of a manufacturing defect within one year from the date of original purchase, Warrantor will furnish without charge the required replacement part.

In addition, if the sealed motor-compressor(s) fail(s) because of a manufacturing defect within the second through fifth year from the date of original purchase, Warrantor will furnish without charge a replacement compressor(s). Warrantor's obligations and liabilities under this warranty are limited to furnishing F.O.B. Warrantor factory or warehouse replacement parts for Warrantor's products covered under this warranty. Warrantor shall not be obligated to pay for the cost of lost refrigerant. No liability shall attach to Warrantor until products have been paid for and then liability shall be limited solely to the purchase price of the equipment under warranty shown to be defective.

*THE WARRANTY AND LIABILITY SET FORTH HEREIN ARE IN LIEU OF ALL OTHER WARRANTIES AND LIABILITIES, WHETHER IN CONTRACT OR IN NEGLIGENCE, EXPRESS OR IMPLIED, IN LAW OR IN FACT, INCLUDING IMPLIED WARRANTIES OF MERCHANTABILITY AND FITNESS FOR PARTICULAR USE, AND IN NO EVENT SHALL WARRANTOR BE LIABLE FOR ANY INCIDENTAL OR CONSEQUENTIAL DAMAGES.*

Some states do not allow limitations on how long an implied warranty lasts or do not allow the exclusion or limitation of incidental or consequential damages, so the above limitation or exclusion may not apply to you. This warranty gives you specific legal rights, and you may also have other rights which vary from state to state.

Trane, 2701 Wilma Rudolph Blvd., Clarksville, TN 37040-1008

Attention: Manager, Product Service

TW-338-0597

\* This warranty is for commercial usage of said equipment and not applicable when the equipment is used for a residential application. Commercial use is any application where the end purchaser uses the product for other than personal, family or household purposes.

## Commercial Equipment Rated 20 Tons and Larger and Related Accessories (Parts Only)

**Products Covered** — This warranty is extended by Trane, and applies only to commercial equipment rated 20 tons and larger and related accessories purchased and retained for use within the U.S.A. and Canada.

Warrantor warrants for a period of 12 months from initial start-up or 18 months from date of shipment, whichever is less, that the products covered by this warranty (1) are free from defects in material and manufacture, and (2) have the capacities and ratings set forth in catalogs and bulletins; provided, that no warranty is made against corrosion, erosion or deterioration. Warrantor's obligations and liabilities under this warranty are limited to furnishing, F.O.B. factory replacement parts (or equipment at the option of Warrantor) for all Warrantor's products not conforming to this warranty. Warrantor shall not be obligated to pay for the cost of lost refrigerant. No liability whatever shall attach to Warrantor until said products have been paid for and then said liability shall be limited to the purchase price of the equipment shown to be defective.

*THE WARRANTY AND LIABILITY SET FORTH HEREIN ARE IN LIEU OF ALL OTHER WARRANTIES AND LIABILITIES, WHETHER IN CONTRACT OR IN NEGLIGENCE, EXPRESS OR IMPLIED, IN LAW OR IN FACT, INCLUDING IMPLIED WARRANTIES OF MERCHANTABILITY AND FITNESS FOR PARTICULAR USE, AND IN NO EVENT SHALL WARRANTOR BE LIABLE FOR ANY INCIDENTAL OR CONSEQUENTIAL DAMAGES.*

Some states do not allow limitations on how long an implied warranty lasts or do not allow the exclusion or limitation of incidental or consequential damages, so the above limitation or exclusion may not apply to you. This warranty gives you specific legal rights, and you may also have other rights which vary from state to state.

Trane—Warrantor, 2701 Wilma Rudolph Blvd., Clarksville, TN 37040

GW-598-4799

# Wiring Diagram Matrix

WIRING DIAGRAM NO.	DIAGRAM TYPE	UNIT MODEL NO'S
4367-0325	ElectroMechanical Connection and Schematic	TTA120B3, TTA120B4, TTA120BW, TTA100BD, TTA150B3, TTA150B4, TTA150BW, TTA125BD, TTA120BK, TTA150BK
4367-0326	ElectroMechanical Connection and Schematic	TTA100CD, TTA120C3, TTA120C4, TTA120CW
4367-0327	ElectroMechanical Connection and Schematic	TWA090A3, TWA090A4, TWA090AW, TWA120A4, TWA120AW, TWA075AD, TWA100AD
4367-0335	ElectroMechanical Connection and Schematic	TTA155BD, TTA180B3, TTA180B4, TTA180BW, TTA180BK, TTA200BD, TTA240B4, TTA240BW, TTA240BK
4367-0336	ElectroMechanical Connection and Schematic	TTA240B3
4367-0337	ElectroMechanical Connection and Schematic	TTA155CD, TTA180C3, TTA180C4, TTA180CW
4367-0338	ElectroMechanical Connection and Schematic	TWA200BD, TWA240B4, TWA240BW
4367-0339	ElectroMechanical Connection and Schematic	TWA155BD, TWA180B3, TWA180B4, TWA180BW
4367-0340	ElectroMechanical Connection and Schematic	TWA240B3
4367-0341	ElectroMechanical Connection and Schematic	TTA120A3
4367-0342	ElectroMechanical Connection and Schematic	TTA075AD, TTA085AD, TTA090A3, TTA090A4, TTA090AW, TTA090AK, TTA100AD, TTA120A4, TTA120AW, TTA120AK
4367-0343	ElectroMechanical Connection and Schematic	TWA090A3, TWA090A4, TWA090AW, TWA120A4, TWA120AW, TWA075AD, TWA100AD
4367-0344	ElectroMechanical Connection and Schematic	TWA120A3
4367-0345	ReliaTel Connection and Schematic	TTA240B3
4367-0346	ElectroMechanical Connection and Schematic	TWE060A3, TWE060C3
4367-0347	ElectroMechanical Connection and Schematic	TWE090A1, TWE120A1
4367-0349	ElectroMechanical Connection and Schematic	TWE155BD, TWE180BW, TWE180B3, TWE180B4, TWE180BK, TWE200BD, TWE240BW, TWE240B3, TWE240B4, TWE240BK, TWE155CD, TWE180CW, TWE180C3, TWE180C4, TWE180CK, TWE200CD, TWE240CW, TWE240C3, TWE240C4, TWE240CK
4367-0350	ElectroMechanical Connection and Schematic	TWE090B3, TWE120B3, TWE120BK
4367-0351	ElectroMechanical Connection and Schematic	TWE100BD, TWE120BW
4367-0352	ElectroMechanical Connection and Schematic	TWE060B1, TWE090B1, TWE120B1
4367-0353	ElectroMechanical Connection and Schematic	TWE060B3
4367-0354	ElectroMechanical Connection and Schematic	TWE060B4
4367-0355	ElectroMechanical Connection and Schematic	TWE090AK, TWE090A3, TWE090C3, TWE120AK, TWE120A3, TWE120C3
4367-0356	ElectroMechanical Connection and Schematic	TWE060A1, TWE060C1
4367-0357	ElectroMechanical Connection and Schematic	TWE050AD, TWE060AK, TWE060AW, TWE060A4, TWE060CW, TWE060C4
4367-0358	ElectroMechanical Connection and Schematic	TWE075AD, TWE090AW, TWE100AD, TWE120AW, TWE090CW, TWE120CW
4367-0359	ReliaTel Connection and Schematic	TTA155BD, TTA180B3, TTA180B4, TTA180BW, TTA180BK, TTA200BD, TTA240B4, TTA240BW, TTA240BK
4367-0360	ReliaTel Connection and Schematic	TTA155CD, TTA180C3, TTA180C4, TTA180CW
4367-0361	ReliaTel Connection and Schematic	TTA100CD, TTA120C3, TTA120C4, TTA120CW
4367-0362	ReliaTel Connection and Schematic	TTA120B3, TTA120B4, TTA120BW, TTA100BD, TTA150B3, TTA150B4, TTA150BW, TTA125BD, TTA120BK, TTA150BK
4367-0363	ReliaTel Connection and Schematic	TTA075AD, TTA085AD, TTA090A3, TTA090A4, TTA090AW, TTA090AK, TTA100AD, TTA120A4, TTA120AW, TTA120AK
4367-0364	ReliaTel Connection and Schematic	TTA120A3
4367-0444	ReliaTel Connection and Schematic	TTA200FD, TTA240F4, TTA240FW, and TTA240FK

Notes: Wiring diagrams are available via e-Library.









